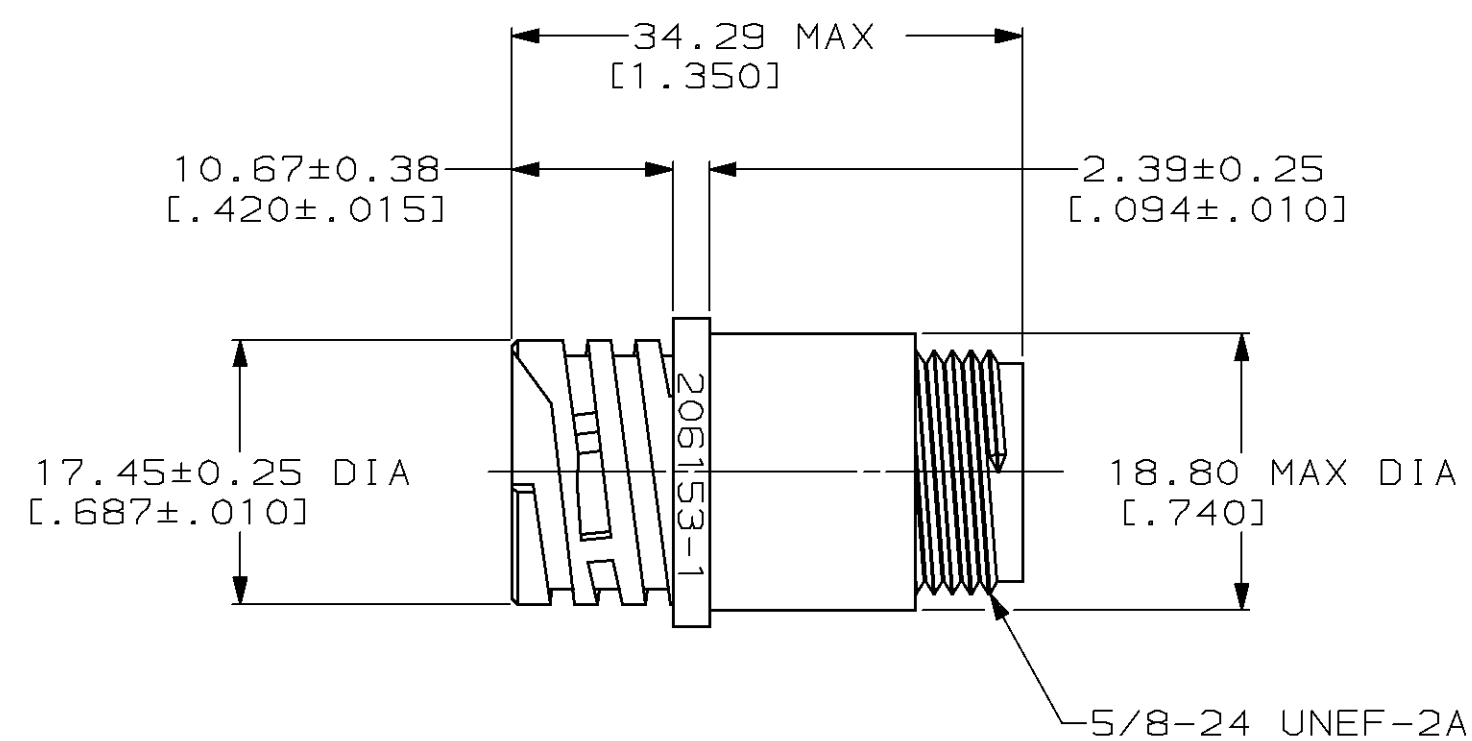
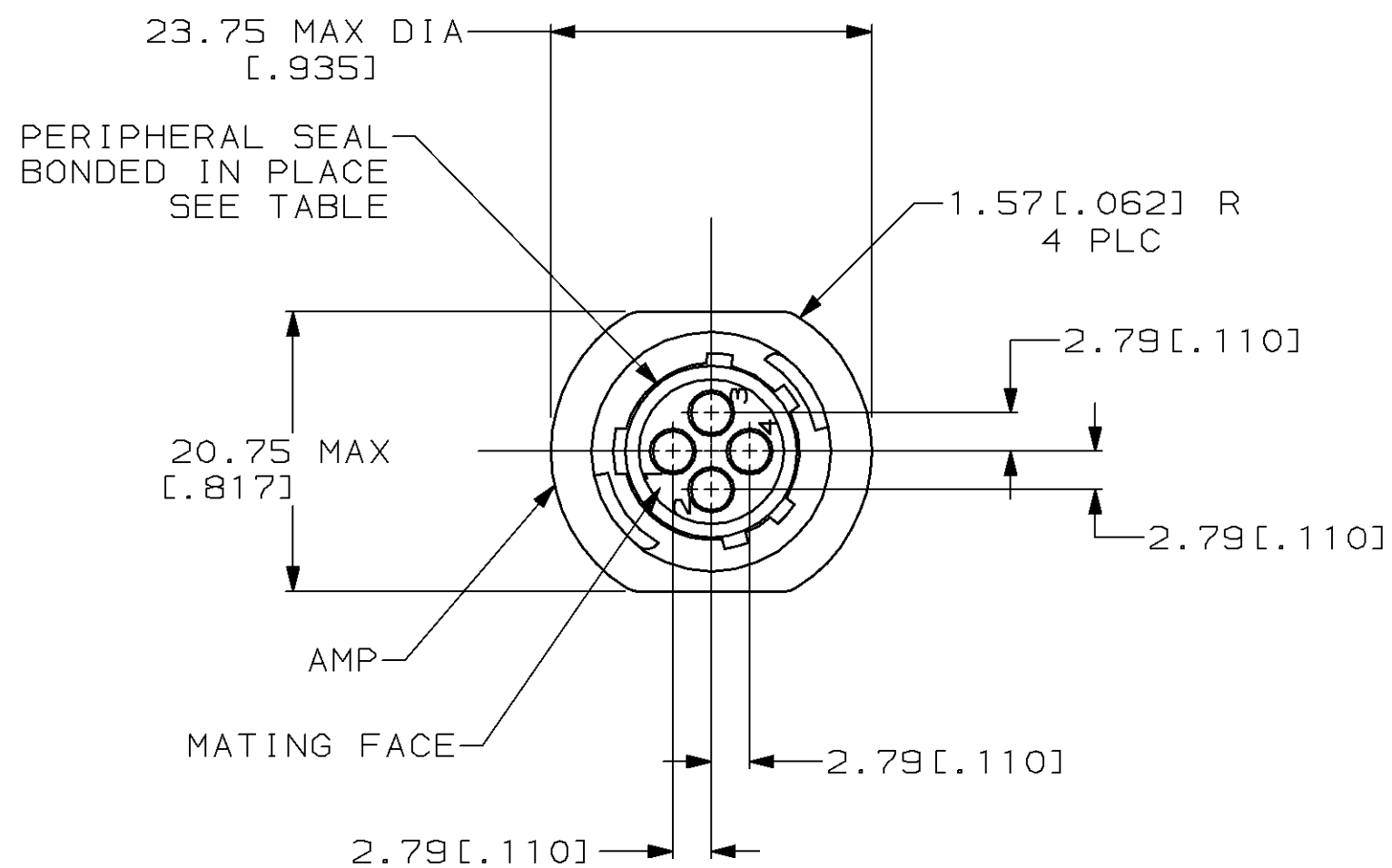


MOD	LOC	DIST	P	F	ZONE	LTR	DESCRIPTION	DATE	APPD
4	BD	35				F	REDRAWN W/O CHANGE PER EC 0020-569-94	09/09/92	-
						G	REACTIVATE -2 PER EC 0020-1075-94	12/05/94	AF



- CAVITY IDENTIFICATION ON FRONT AND REAR FACE.
- RECEPTACLE WILL ACCEPT FOUR (4) MULTIMATE PIN CONTACTS.

THIS DRAWING IS A CONTROLLED DOCUMENT FOR AMP INCORPORATED. IT IS SUBJECT TO CHANGE AND THE CONTROLLING ENGINEERING ORGANIZATION SHOULD BE CONTACTED FOR THE LATEST REVISION.

YES	206153-2
NO	206153-1
PERIPHERAL SEAL	PART NO

DO NOT SCALE PRINT. UNLESS SPECIFIED DIMENSIONS IN mm [INCHES] TOLERANCES ON : 2 PLC DEC ± 0.13 [.005] 3 PLC DEC ± - ANGLES ± -	DR 05/18/94 D.HARDY	AMP Incorporated Harrisburg, PA 17105-3608	
	CHK 05/20/94 R.STONE		
MATERIAL NYLON, BLACK	APPD 07/12/94 A.FRANTUM	RECEPTACLE HOUSING, STANDARD SEX, SHELL SIZE 11, CPC	
FINISH -	APPD 07/12/94 A.FRANTUM	SIZE C	CAGE CODE 00779
	PRODUCT SPEC 108-10024	DRAWING NO C=206153	
	APPLICATION SPEC -	SCALE 2:1	SHEET 1 OF 1
	WEIGHT -		